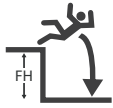


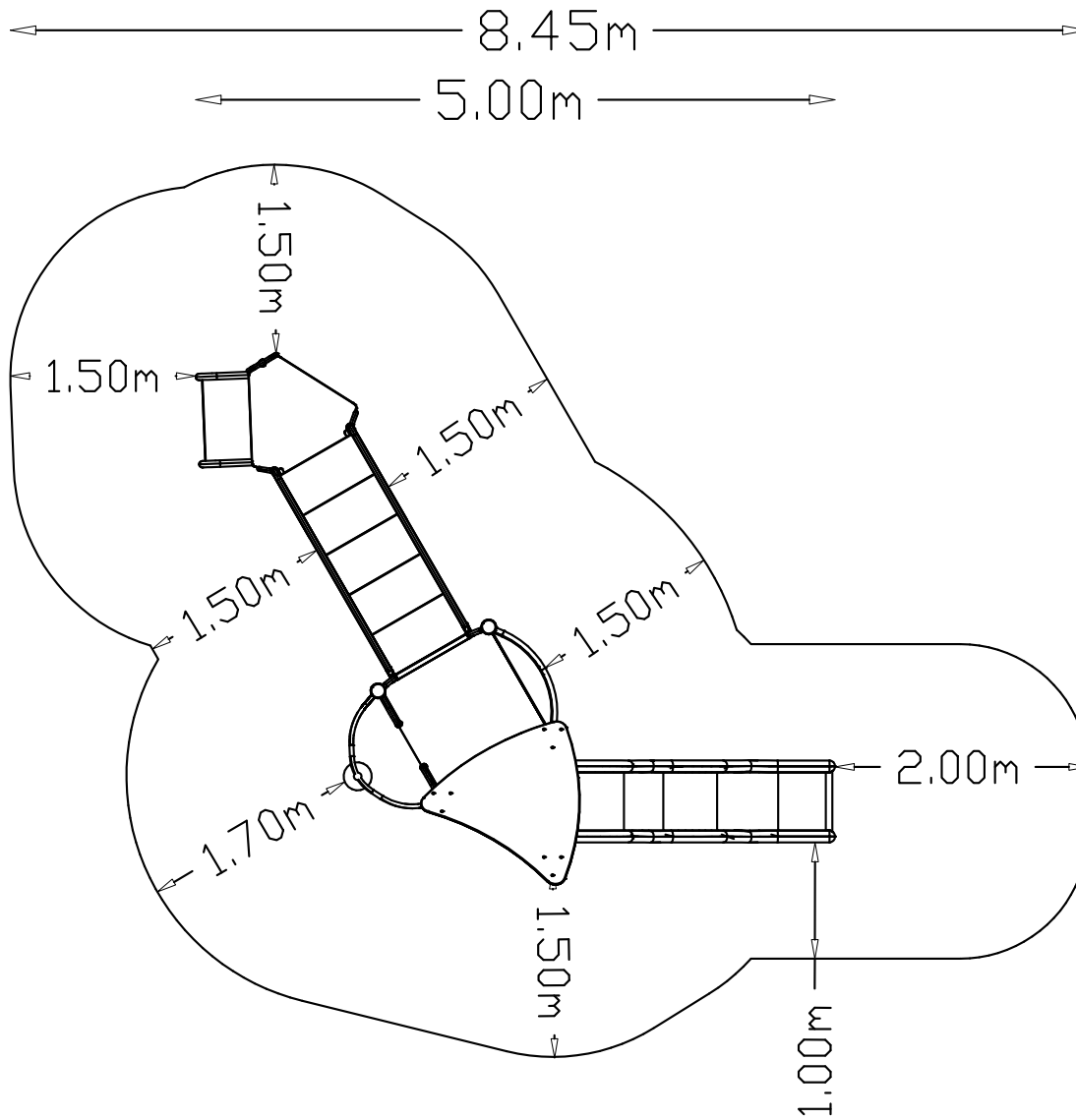
S6

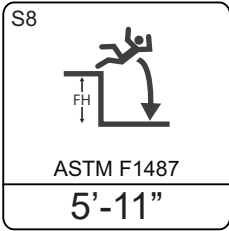


EN1176

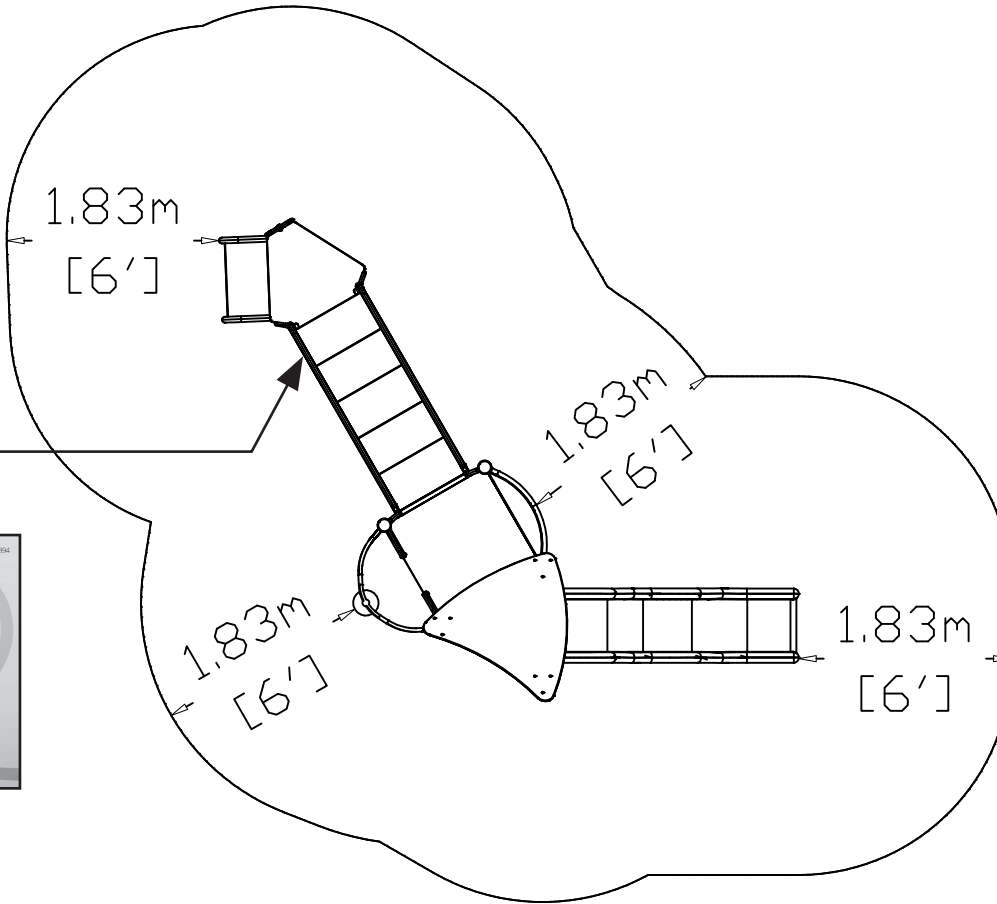
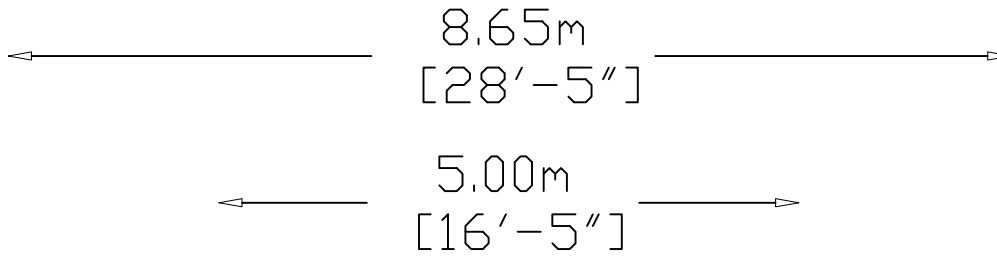
1.80m

# EN1176





# ASTM F1487



**INSTALL  
101**

<p><b>WARNING</b> Playground equipment should not be used as a structure, support or padding surface unless it is specifically designed for such use. See the manufacturer's instructions for proper use and maintenance.</p> <p><b>WARNING</b> Children are required to use the play surface caught in slides and other playground equipment. Before allowing children to play on the surface, check for holes, rips, tears, fraying, and other damage. Do not use the equipment if it is damaged.</p> <p><b>WARNING</b> All playground equipment and rubber surfacing must be installed on a prepared base. Check for hot surfaces before allowing children to play. Children should wear appropriate shoes at all times.</p> <p><b>WARNING</b> Playground equipment should not be used as a structure, support or padding surface unless it is specifically designed for such use. See the manufacturer's instructions for proper use and maintenance.</p>	<p><b>play smart! rules</b></p> <ul style="list-style-type: none"> <li>✓ Do not play on broken or damaged equipment. Report it.</li> <li>✓ Do not play without adequate safety training and proper equipment.</li> <li>✓ No talking, running or shouting should be done while on equipment.</li> <li>✓ Do not play on top of equipment and do not play on equipment.</li> <li>✓ Do not play on or run on playground equipment and do not play on it.</li> <li>✓ Wash your hands. Do not run, climb, swing, slide, or play on equipment.</li> <li>✓ Do not play on equipment in wet, icy, or on top of snow through holes or cracks.</li> <li>✓ Do not drink or eat while playing.</li> </ul> <p><b>WARNING</b> All playground equipment and rubber surfacing must be installed on a prepared base. Check for hot surfaces before allowing children to play. Children should wear appropriate shoes at all times.</p> <p><b>WARNING</b> Playground equipment should not be used as a structure, support or padding surface unless it is specifically designed for such use. See the manufacturer's instructions for proper use and maintenance.</p>	<p><b>play smart! rules</b></p> <ul style="list-style-type: none"> <li>✓ Do not play on broken or damaged equipment. Report it.</li> <li>✓ Do not play without adequate safety training and proper equipment.</li> <li>✓ No talking, running or shouting should be done while on equipment.</li> <li>✓ Do not play on top of equipment and do not play on equipment.</li> <li>✓ Do not play on or run on playground equipment and do not play on it.</li> <li>✓ Wash your hands. Do not run, climb, swing, slide, or play on equipment.</li> <li>✓ Do not play on equipment in wet, icy, or on top of snow through holes or cracks.</li> <li>✓ Do not drink or eat while playing.</li> </ul> <p><b>WARNING</b> All playground equipment and rubber surfacing must be installed on a prepared base. Check for hot surfaces before allowing children to play. Children should wear appropriate shoes at all times.</p> <p><b>WARNING</b> Playground equipment should not be used as a structure, support or padding surface unless it is specifically designed for such use. See the manufacturer's instructions for proper use and maintenance.</p>
---	--	--



S9

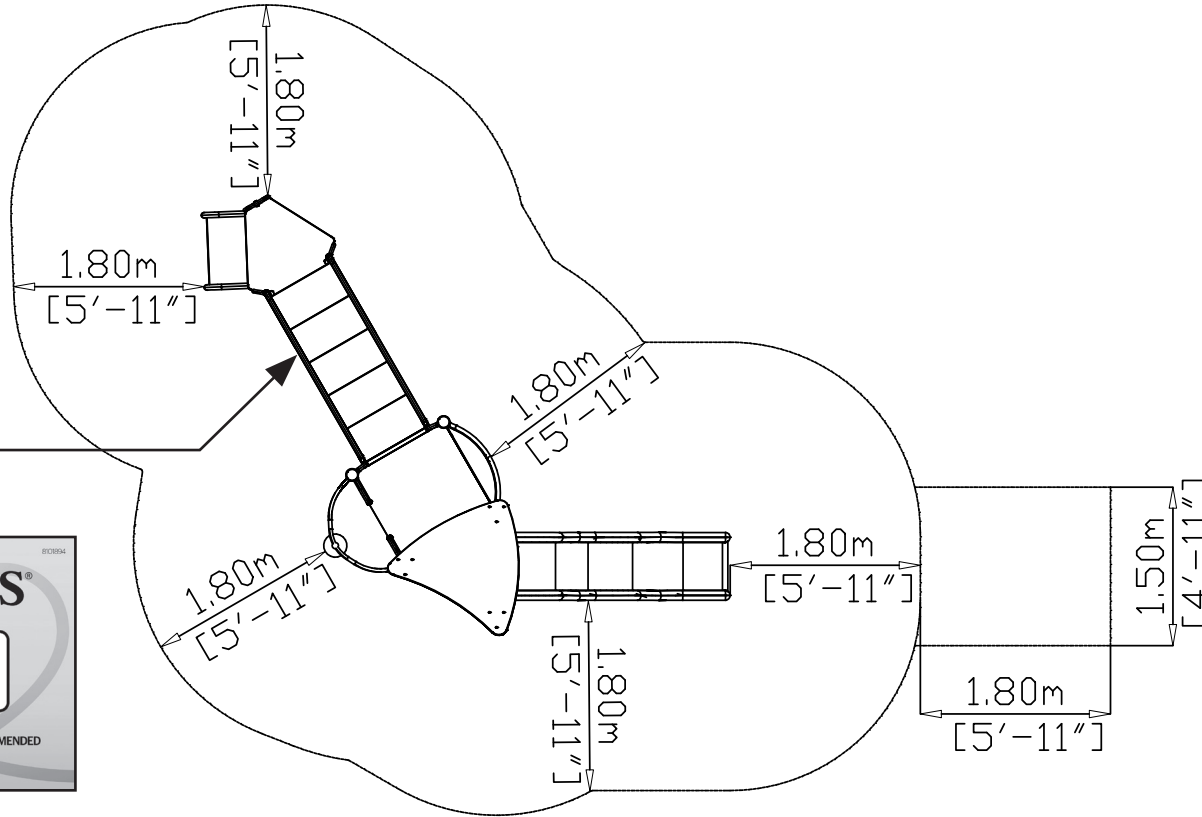
CSA Z 614  
2.45m  
[8'-1/2"]

# CSA Z614



10.40m  
[34'-1"]

5.00m  
[16'-5"]



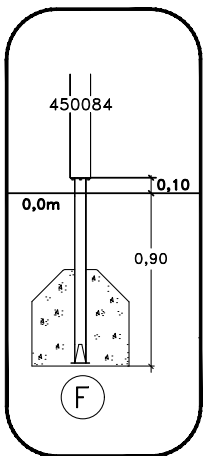
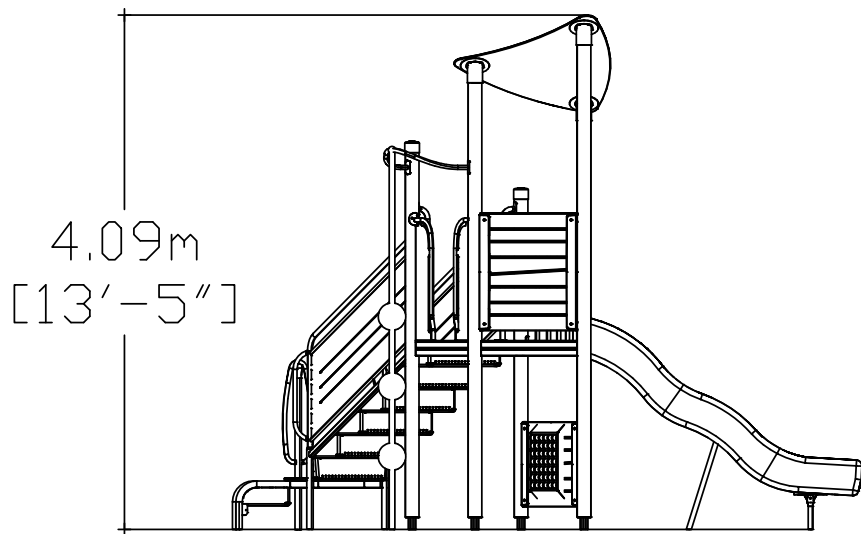
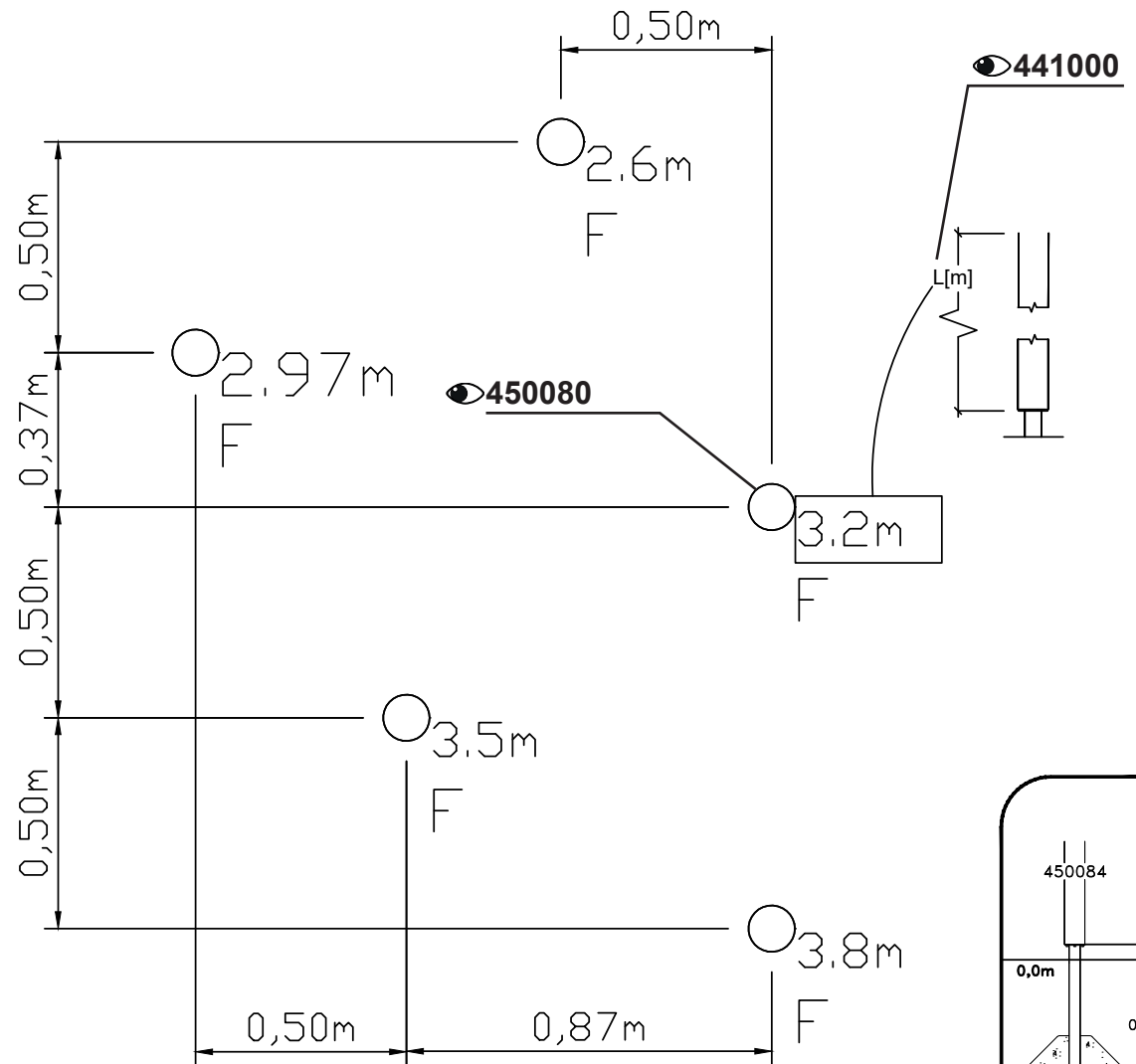
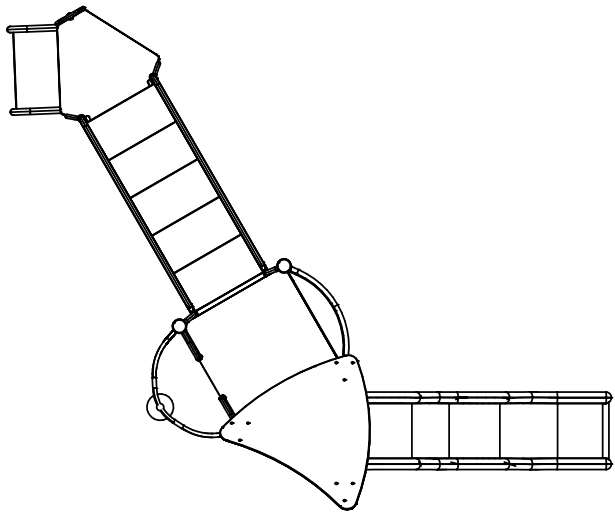
**INSTALL**  
**101**

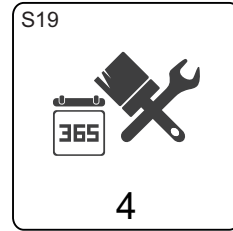
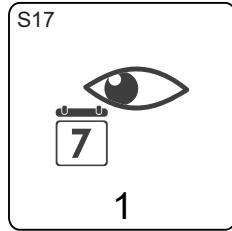
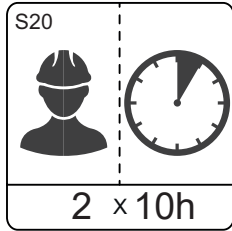
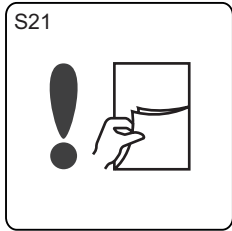
<p><b>WARNING</b> Playground equipment should not be used as a climbing structure or placed on top of one another unless specifically designed for such use. See the manufacturer's instructions for proper use and assembly. It is intended for use by children only.</p> <p><b>WARNING</b> Children are required to use the stairs and ladders as designed and other playground equipment. Before allowing children to play, verify that the equipment is free of any damage, loose parts, or other hazards that could cause injury. Check for hot surfaces before allowing children to play. Children should wear appropriate shoes at all times.</p> <p><b>WARNING</b> Playground equipment on or near playground equipment can be used to launch objects from the equipment and should not be used for such purposes. The manufacturer's instructions should be read and followed.</p>	<p><b>play smart! rules</b></p> <ul style="list-style-type: none"> <li>✓ Do not play on broken or damaged equipment. Report it.</li> <li>✓ Do not play without adequate safety supervision.</li> <li>✓ No running, pushing or shoving. Equipment should be used only as designed.</li> <li>✓ Do not play tag or run on playground equipment and the structure of it.</li> <li>✓ Watch your head! Do not run, climb, swing, slide, or use other equipment.</li> <li>✓ Do not play on swings or any equipment that is not designed for such use.</li> <li>✓ Do not climb on roofs, ledges, or eaves, or on top of or over through holes.</li> <li>✓ Slide sitting down, feet first, and one at a time. Do not slide up slides or ladders.</li> <li>✓ Adults - do not slide with a child on your lap. It can injure your child's legs.</li> <li>✓ Before letting go of overhead bars, hand grips and hand holds, a child will drop straight down with both feet.</li> <li>✓ Before sitting down, do not jump or fall backwards.</li> <li>✓ Do not swing while playing and be careful.</li> </ul>
---	---

4.15m  
[13'-8"]

7.65m  
[25'-2"]

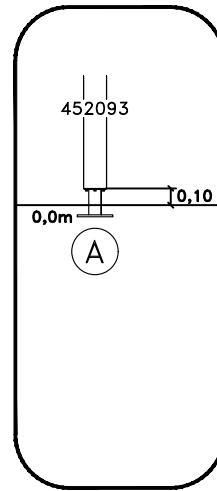
**HAGS®**  
FOR KIDS AGES  
**5-12**  
YEARS  
ADULT SUPERVISION RECOMMENDED  
www.hags.com



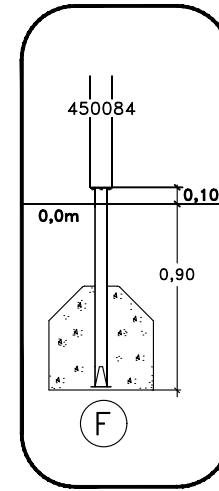


**Install 101**  
**260329**  
**420960**  
**441000**  
**450080**  
**45275323**  
**45475323**  
**MA422U77151**  
**MA424U77151**  
**MASW103874**  
**MASW34156**  
**MASW38904**  
**MASW39775**  
**MASW53817**  
**MASW63820**  
**MASW85869**  
**ST4203**

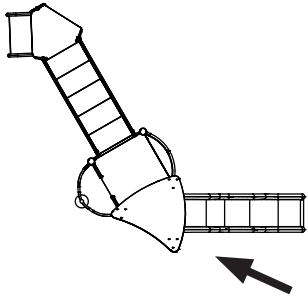
 **450080**



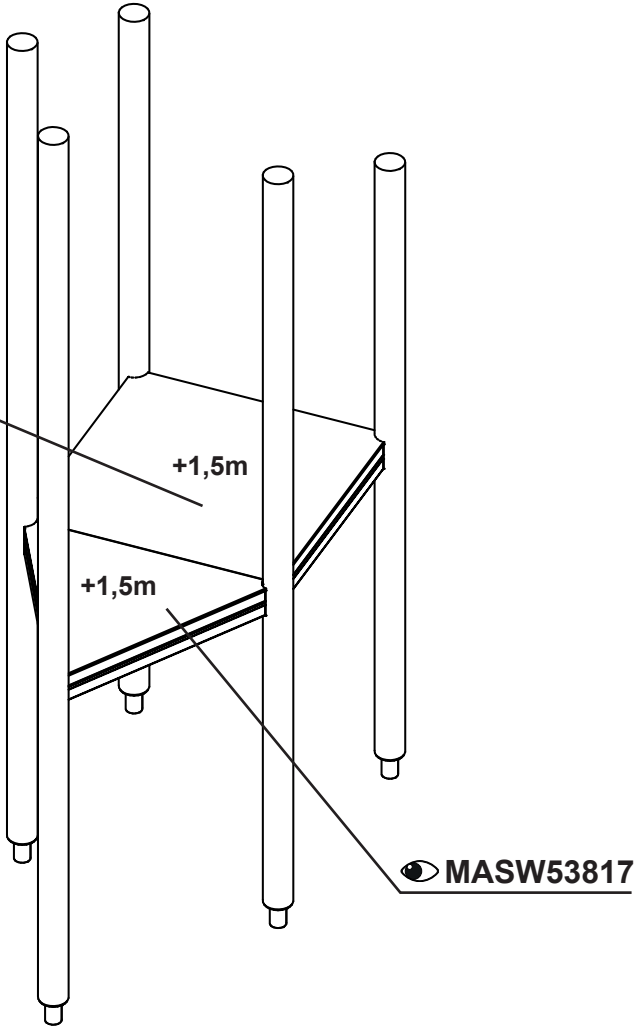
**Above Ground**  
**OM**



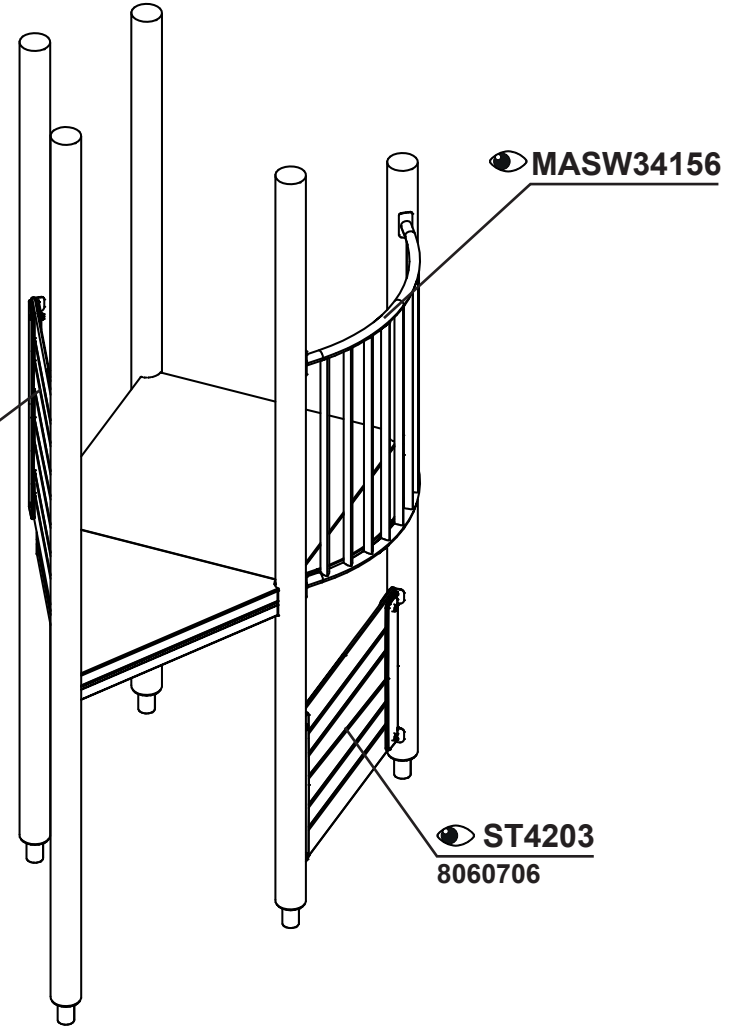
**Cast Loose Fill**  
**BM**  
**8102036**

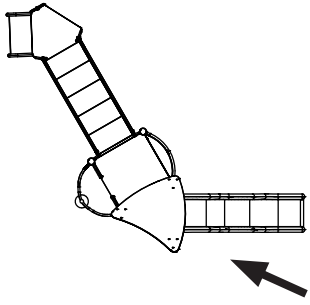


● MASW63820



● ST4203  
8060708



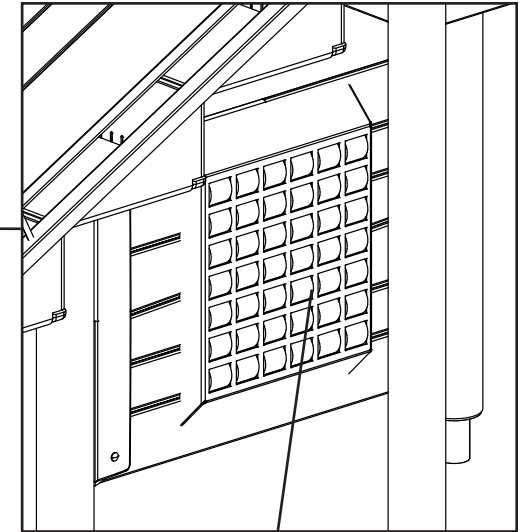
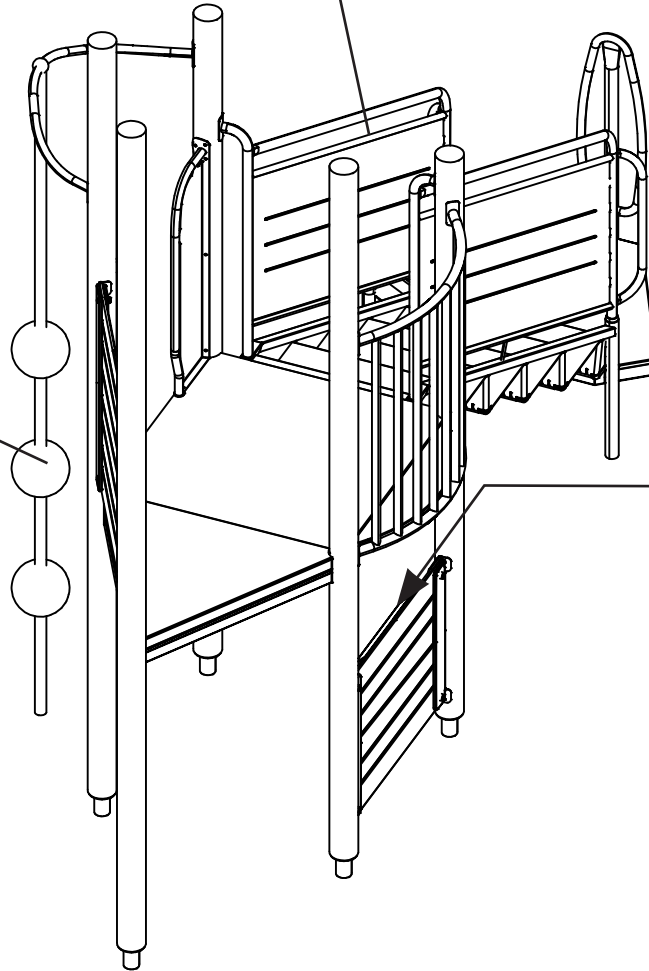


● 45475323 [BM]

● 45275323 [OM]

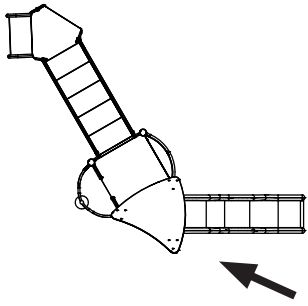
● MA424U77151 [BM]

● MA422U77151 [OM]



● 420960



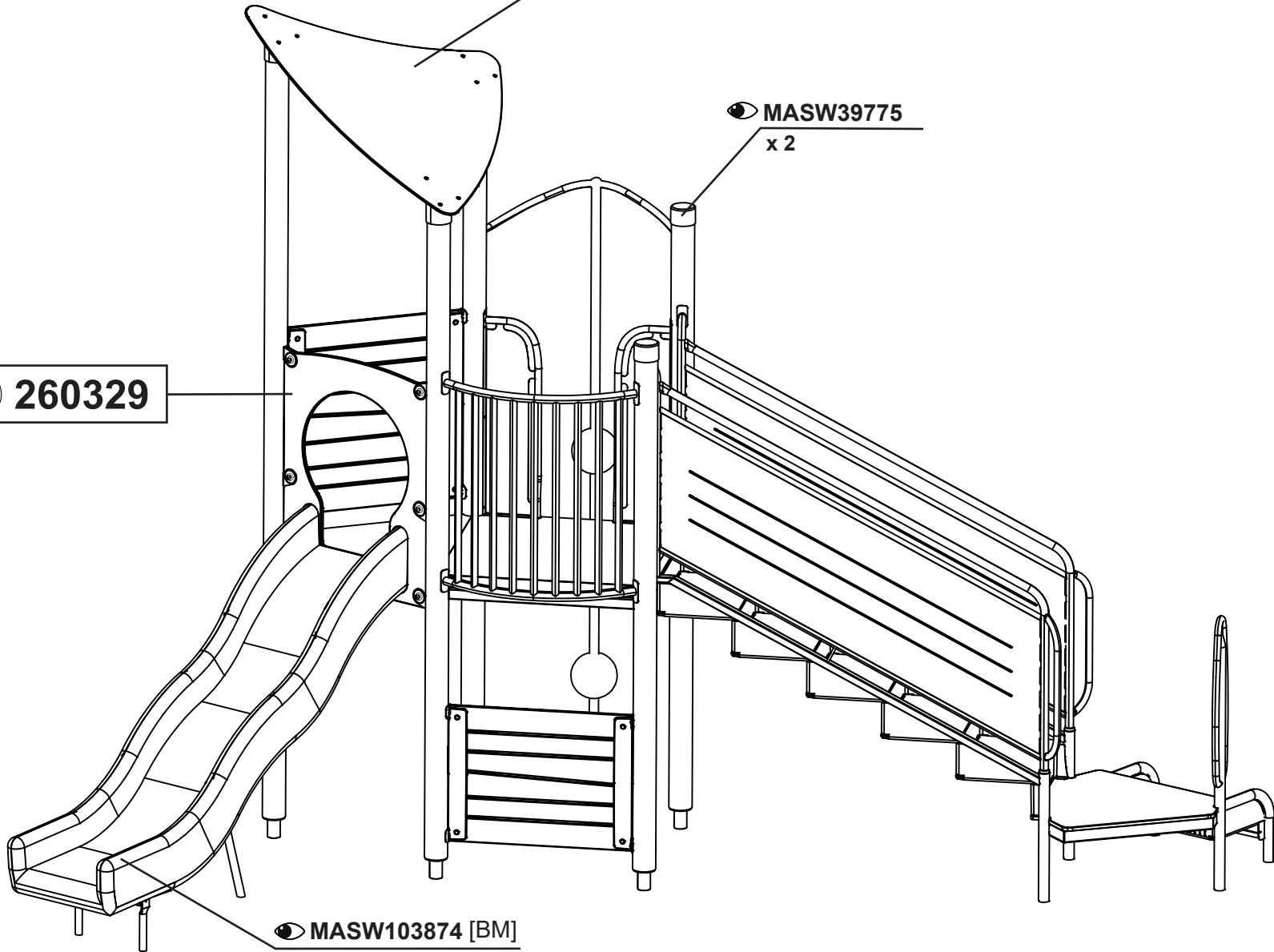


● MASW38904

● MASW39775

x 2

HAGS  
260329



● MASW103874 [BM]

● MASW85869 [OM]